

# DLT-V8315



## High Performance Computing 15" Industrial PC, Rugged

- Color-TFT 15"
- Intel® Core™ i5-4300U Dual Core CPU
- Fully configurable to support individual needs
- Break-proven, abrasion-resistant touchscreen, IK08
- DC wide-range power supply and AC power supply available
- Integrated uninterruptible power supply (UPS)
- Extreme temperature range, cold store capable
- Fully rugged, IP66 for the complete system

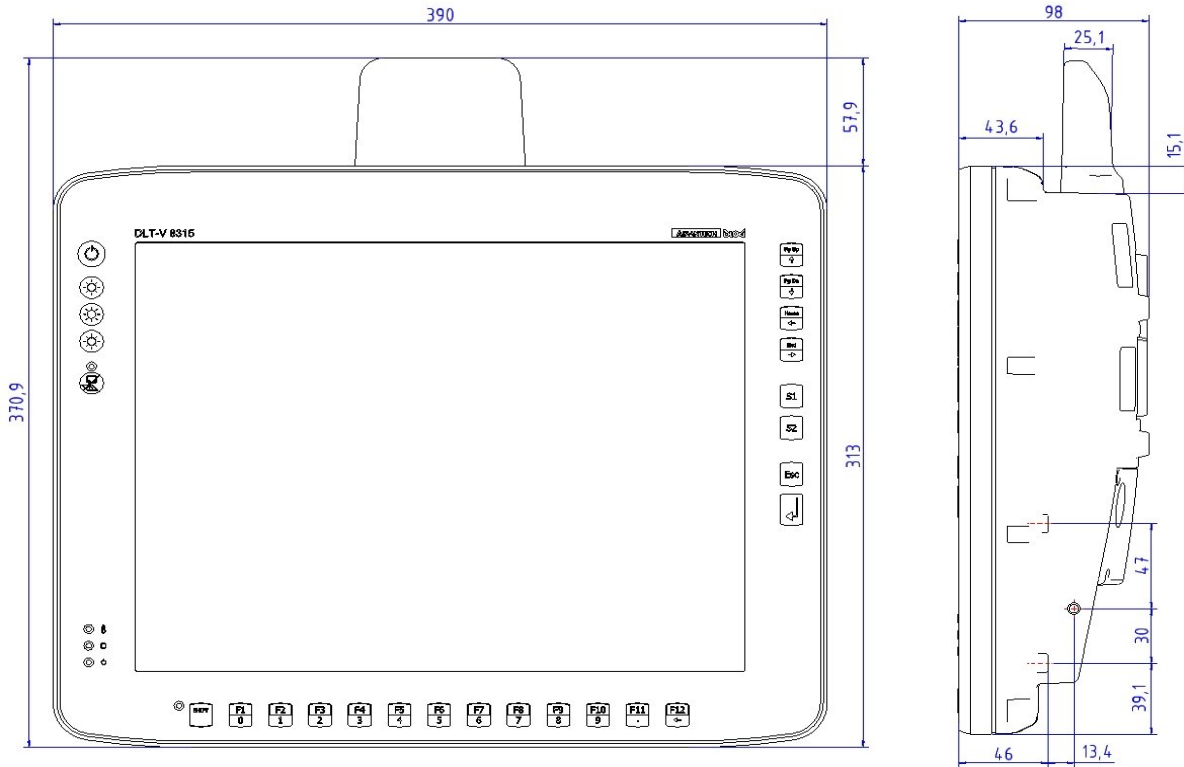
## Specification

System	CPU Mass storage memory	Intel® Core™ i5-4300U Dual Core 1.9 GHz with 4 GB, 8 GB or 16 GB RAM 4 GB CFAST or more 2.5" SD with 128 GB, optional
Housing		Completely sealed, fanless design Coated aluminium
Dimensions/Weight (without antenna)		Width x height x depth: 390 mm x 313 mm x 98 mm (15.35 in x 12.32 in x 3.86 in) Weight 6.2 kg
Display		Color-TFT 15.1" XGA 1024 x 768 400 cd/m <sup>2</sup>
Touchscreen		Highest impact capable touchscreens in two variants: - Resistive touchscreen with 5 or 26 front keys - Capacitive multi touch (PCT) with 9 integrated front keys
Front Keys		5, 9 or 26 front keys
Software	Operating system Emulations (third-party)	MS® WE8S, WE 8.1 Ind Pro, WES 2009, WinXP Pro, WES 7, Win7 Pro, Linux VT100, VT220, IBM 5250, TN 3270, Citrix Client®, Freefloat Access One
Communication	Wi-Fi LAN WPAN	Wi-Fi IEEE 802.11 a/b/g/n, optional Ethernet 10/100/1000 MBit/s, optional 2 <sup>nd</sup> Ethernet Bluetooth, optional
Interfaces	Serial USB	2 x RS-232, alternatively 1 x RS-232 and RS-422/485 4 x USB 2.0 (HI-SPEED™), bootable; including 1 x Service USB
Audio/Voice	Sound Kit	Speaker integrated Advantech-DLoG specific Voice Kit, optional
Power supply (internal)	DC variant  AC variant	12/24/48VDC nominal voltages Automatic switch-on/switch-off function via vehicle ignition Integrated Uninterruptible Power Supply (UPS), typically 10 min, optional 110/230 VAC, 50/60 Hz
Environmental	IP protection class Impact resistance of the front Operating temperature Shock/Vibration	IP66 for the complete system IK08 according to IEC 62262 -30 to +50 °C (-22 to +122 °F) Class 5M2 according to EN 60721-3-5
Approvals	Certifications	US Highway Truck as MIL-STD 810F CE Immunity Class A, Emission Class B / FCC Class B, CCC China, MIC Japan

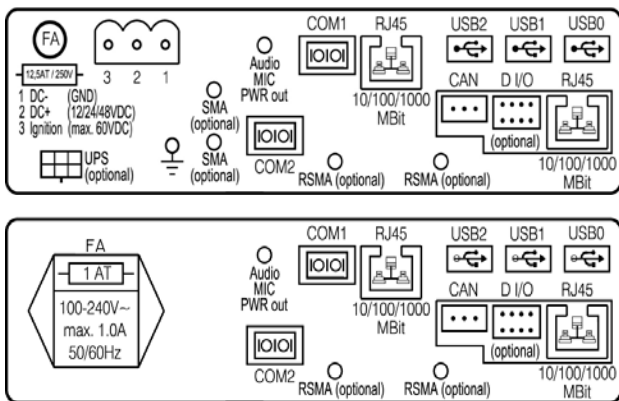
Data Sheet V1.11; © by DLoG GmbH 10/2015. Information is subject to change. Product names are in most cases also registered trademarks and are thus subject to law.

# DLT-V8315

## Dimensions (in mm)

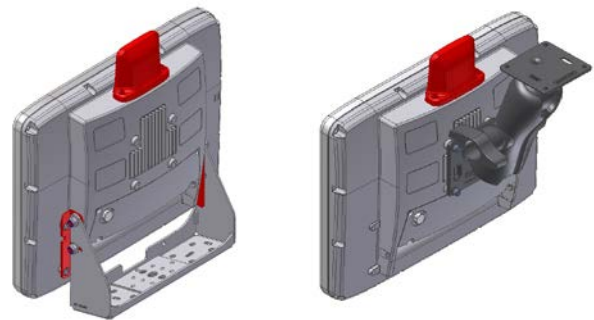


## Connectors



## Advantech-DLoG Partner Contact

## Mounting Variants (Selection)



## Accessories/Options

- Scanners and scanner mountings
- Keyboards and keyboard mountings
- Terminal mountings (wide range of mounting brackets, RAM solutions etc.)
- USB Stick, USB Recovery Stick
- External CD/DVD ROM drive